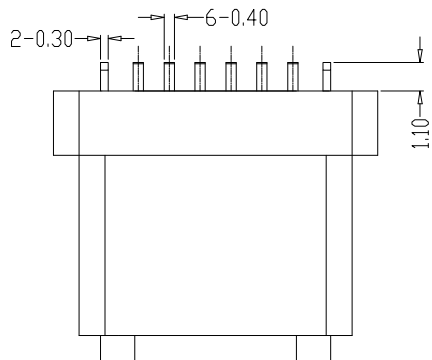
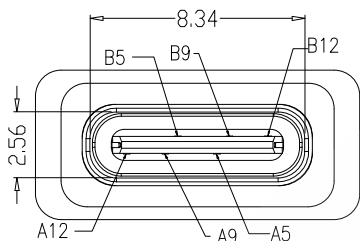
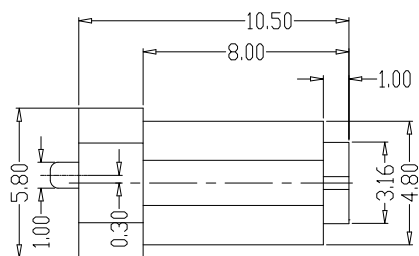


REACH/OOS6IPX7

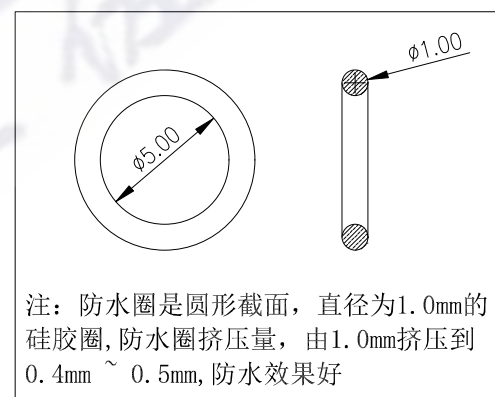
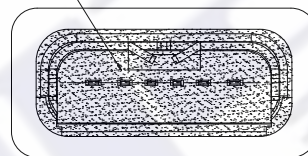
REV.	ECN. NO.	APPD.



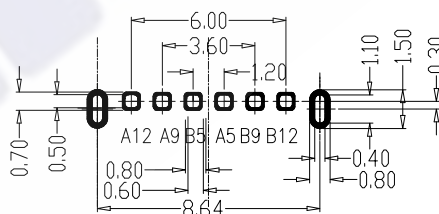
- NOTES:
SPECIFICATION:
- CURRENT RATING: 3.0A MAX
 - VOLTAGE: 100 VAC
 - TEMPERATURE RANGE: -40 °C ~ 85 °C
 - CONTACT RESISTANCE: 40 MILLIONHM MAX
 - INSULATION RESISTANCE: 100 MEGOHMS MIN.
 - INSERTION FORCE : 5N~20N
 - UNMATING FORCE: 8N~20N
 - DURABILITY: 10,000 CYCLES
 - WATER PROOFNESS: THIS PRODUCT IS BASED ON IPX7.



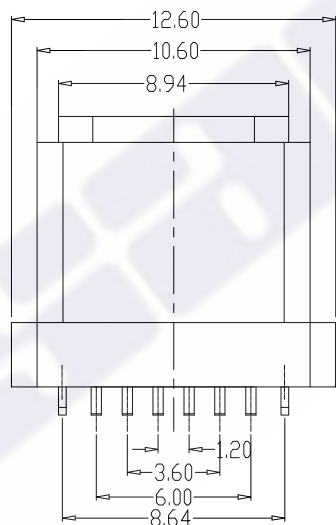
此处点胶



注：防水圈是圆形截面，直径为1.0mm的硅胶圈，防水圈挤压力量，由1.0mm挤压到0.4mm ~ 0.5mm，防水效果好



TOLERANCE UNSPECIFIED ±0.05mm



A5	CC1	B12	GND
A9	VBUS	B9	VBUS
A12	GND	B5	CC2
PIN	SIGNAL NAME	PIN	SIGNAL NAME

加防水圈示意图

5	防水圈	硅胶	BLACK	1PCS
4	SHELL	STAINLESS STEEL	Ni/Cu Plated	1PCS
3	SHELL	PA10T	UL 94V-0 BLACK	1PCS
2	CONTACT	BRASS	Au Plated	1SET
1	MD	HIGH TEMPERATURE PLASTIC	BLACK	1PCS
NO.	DESCRIPTION	MATERIAL	REMARKS	QTY

The copyright belongs to samzo parts [China] Co., Ltd. please use the material after samzo parts agree to authorize. The final right of interpretation belongs to samzo parts.

UNITS	三佐部品【中国】股份有限公司		
mm	PART NO.	TYPE C 6P立式直插防水母座	
MAT'L	MTKEF06LD4ADWNPP	TITLE:	
FINISH	APPD: JANE	DWG NO:	
Q'TY	CHKD: MARK	MTKEF06LD4ADWNPP	
	DR: Steven 2022/05/08	SCALE	SHEET
		1/1	1/1
		REV.	A1