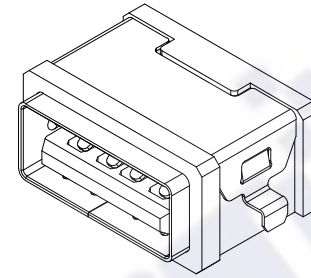
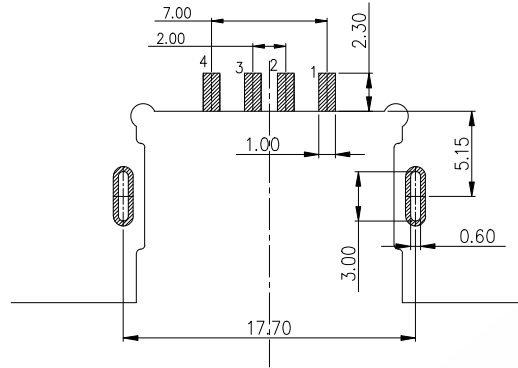
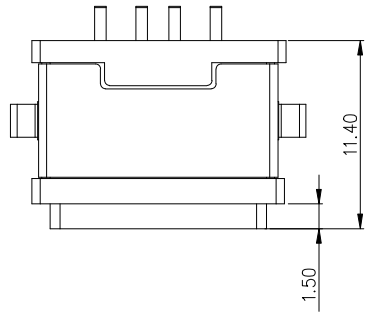


REACH/IIZ6IPX7

REV.	ECN. NO.	APPD.

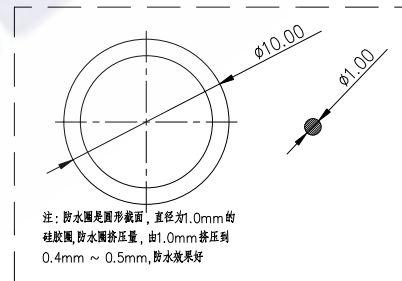
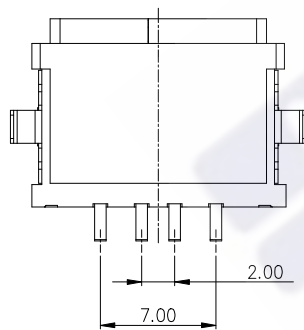
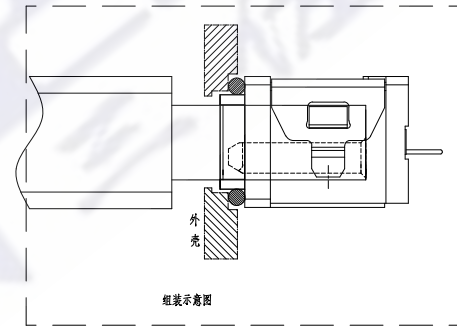
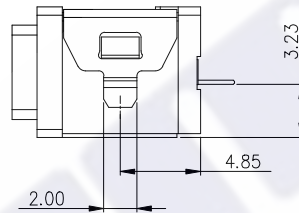
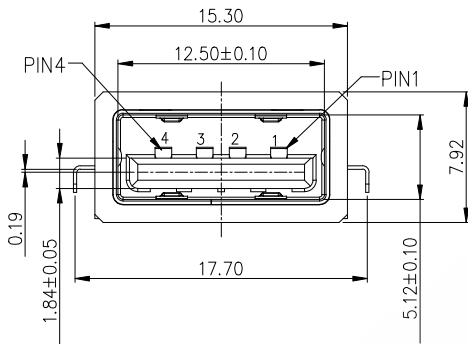
CAD GENERATED DRAWING. DON'T CHANGE BY HAND.



- NOTES:
SPECIFICATION:
1. CURRENT RATING: 3.0A MAX
 2. DIELECTRIC WITHSTAND VOLTAGE: 100VAC
 3. TEMPERATURE RANGE: -30 °C ~ 85 °C
 4. CONTACT RESISTANCE: 40 MILLIONHM MAX
 5. INSULATION RESISTANCE: 100 MEGOHMS MIN.
 6. INSERTION FORCE :10N~30N
 7. UNMATING FORCE: 8N~30N
 8. DURABILITY:1500 CYCLES

RECOMMENDED PCB LAYOUT(TOP VIEW)

THICKNESS T=1.0mm
DEFAULT TOLERANCE+/-0.05



PIN ASSIGNMENT

PIN NO.	1	2	3	4
SIGNAL NAME	VBUS	D-	D+	GND

5	Outer Shell	1	SUS 301 1/4H	
4	Inner Shell	1	SUS 301 1/4H	
3	PLASTIC Shell	1	PA10T (G.F30%)	
2	Contact	4	BRASS C2680-EH Au/Ni Plating T=0.25mm	
1	Housing	1	PA10T (G.F30%)	

ITEM	PART NAME	Q'TY	FINISH	NOTE						
X.	± 0.50	X.* ± 2*	UNITS mm	三佐部品【中国】股份有限公司						
.X	± 0.30	.X* ± 1*								
.XX	± 0.10	.XX* ± 0.5*								
.XXX	± 0.05									
			MAT'L	PART NO. MTKHFO4ED1ADWNG1N						
			FINISH	TITLE: WATERPROOF USB 2.0 A TYPE						
			Q'TY	DWG NO.: MTKHFO4ED1ADWNG1N						
The copyright belongs to samzo parts [China] Co., Ltd. please use the material after samzo parts agree to authorize. The final right of interpretation belongs to samzo parts.				APPD: CHKD: DR: JANE CHOU 2021/10/20						
			<table border="1"> <tr> <td>SCALE</td> <td>SHEET</td> <td>REV.</td> </tr> <tr> <td>1/1</td> <td>1/1</td> <td>A1</td> </tr> </table>		SCALE	SHEET	REV.	1/1	1/1	A1
SCALE	SHEET	REV.								
1/1	1/1	A1								