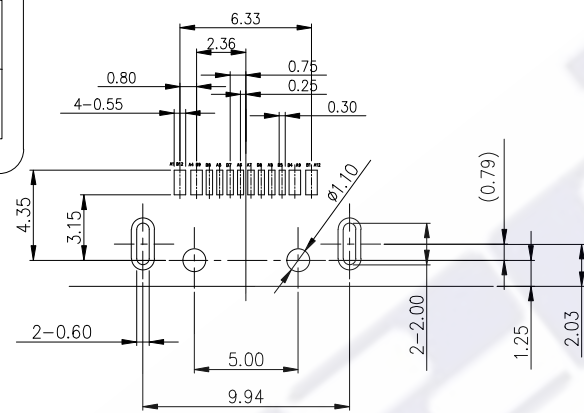
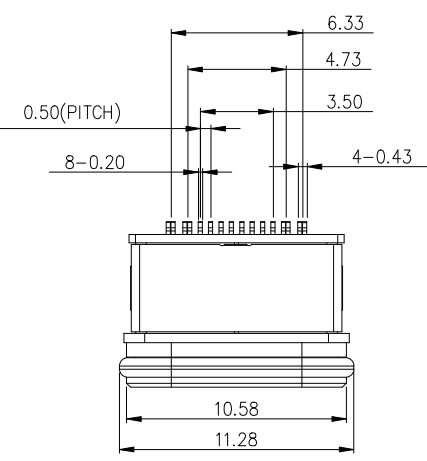
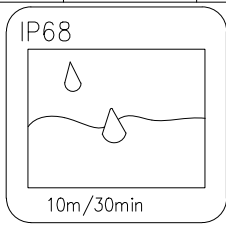


REACH/00Z6IPX8

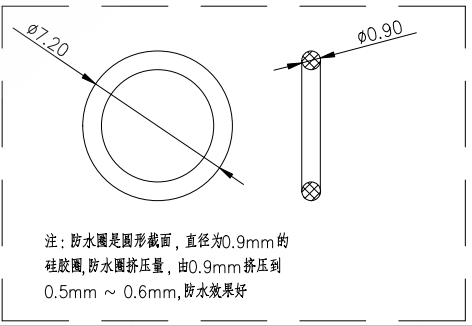
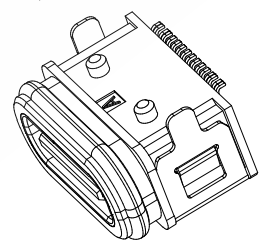
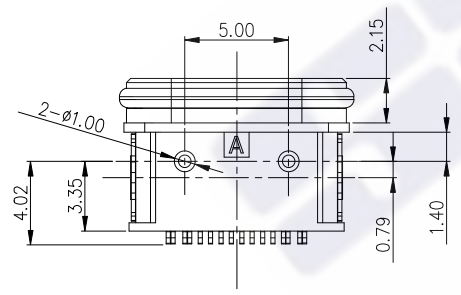
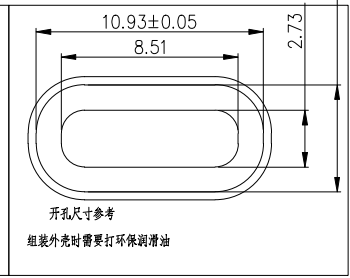
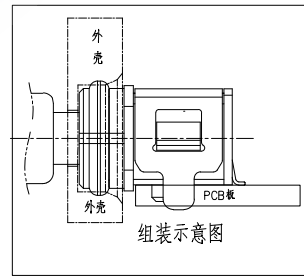
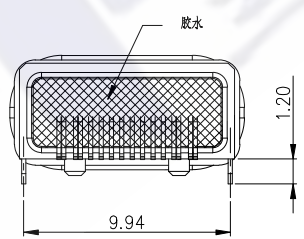
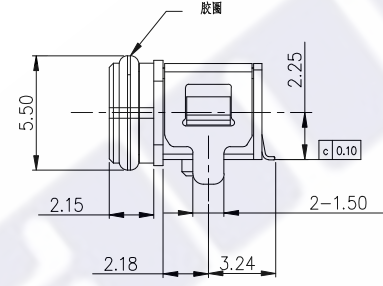
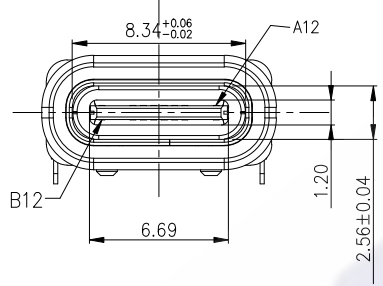
REV.	ECN. NO.	APPD.



Recommended P.C.B. Layout
Unspecified tolerance: ± 0.05
(Top view)

SPECIFICATION:

1. CURRENT RATING: 3.0A MAX
2. DIELECTRIC WITHSTAND VOLTAGE: 100VAC
3. TEMPERATURE RANGE: $-30^{\circ}\text{C} \sim 85^{\circ}\text{C}$
4. CONTACT RESISTANCE: 40 MILLIONHM MAX
5. INSULATION RESISTANCE: 100 MEGOHMS MIN.
6. INSERTION FORCE : 5N~20N
7. UNMATING FORCE: 8N~20N
8. DURABILITY: 10,000 CYCLES
9. WATER PROOFNESS: THIS PRODUCT IS BASED ON IPX8.



5	Shell2	1	SUS301 Ni Plating T=0.20mm	Ni: 40u"Min;
4	Shell1	1	SUS301 Ni Plating T=0.25mm	Ni: 40u"Min;
3	Housing2	1	PA10T(G.F30%)	
2	Contact	16	Phosphor bronze C5210R-EH Au/Ni Plating T=0.20mm	Ni: 40u"Min; Au: CONTACT AREA, OTHER AREA: G/F
1	Housing	1	PA10T (G.F30%)	
ITEM	PART NAME	Q'TY	FINISH	NOTE

The copyright belongs to samzo parts [China] Co., Ltd. please use the material after samzo parts agree to authorize. The final right of interpretation belongs to samzo parts.

UNITS: mm

三佐部品【中国】股份有限公司

MAT'L: /

PART NO.: MTKEF16WD3CDWNG1N

TITLE: TYPE C 16Pin SMT Type

X. ± 0.50 X.* $\pm 2^*$ FINISH: /

.X ± 0.30 .X.* $\pm 1^*$ APPD: SEAGULL

.XX ± 0.20 .XX.* $\pm 0.5^*$ CHKD: SEAGULL

.XXX ± 0.05 Q'TY: /

DR: SEAGULL

DWG NO.: MTKEF16WD3CDWNG1N

SCALE	SHEET	REV.
1/1	1/2	A1

A1	GND	B12	GND
A4	VBUS	B9	VBUS
A5	CC1	B8	SBU2
A6	DP1	B7	DN2
A7	DN1	B6	DP2
A8	SBU1	B5	CC2
A9	VBUS	B4	VBUS
A12	GND	B1	GND
PIN	SIGNAL NAME	PIN	SIGNAL NAME