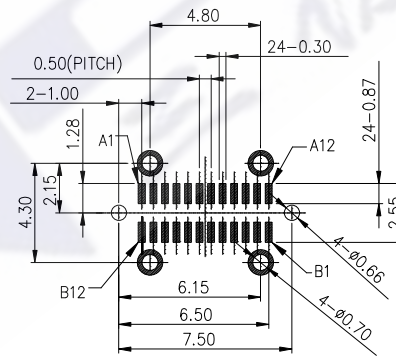
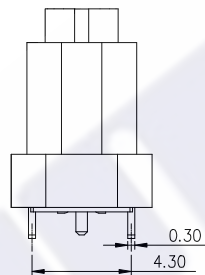
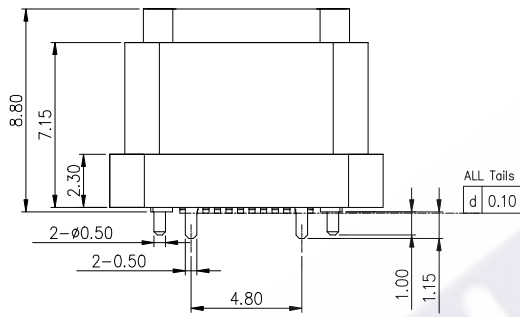
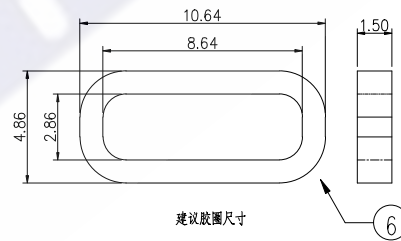
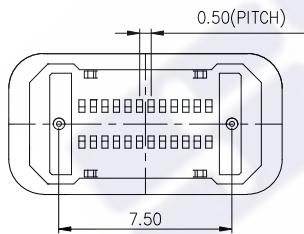


- NOTES:
SPECIFICATION:
1. CURRENT RATING: 3.0A MAX
 2. DIELECTRIC WITHSTAND VOLTAGE: 100VAC
 3. TEMPERATURE RANGE: -30 °C ~ 85 °C
 4. CONTACT RESISTANCE: 40 MILLIONHM MAX
 5. INSULATION RESISTANCE: 100 MEGOHMS MIN.
 6. INSERTION FORCE : 5N~20N
 7. UNMATING FORCE: 8N~20N
 8. DURABILITY: 10,000 CYCLES



RECOMMENDED P.C.B. LAYOUT (T:1.00mm)
TOLERANCE UNSPECIFIED ±0.05mm



NO.	DESCRIPTION	MATERIAL	REMARKS	QTY
7	Cap	HIGH TEMPERATURE PLASTIC	BLACK	1PCS
6	防水圈	硅胶	BLACK	1PCS
5	SHELL	STAINLESS STEEL	NI Plated	1PCS
4	SHIELDING PLATE	STAINLESS STEEL	NI Plated	1PCS
3	CONTACT	COPPER ALLOY	Au/Ni Plated	1SET
2	SHELL HOUSING	HIGH TEMPERATURE PLASTIC	BLACK	1PCS
1	HOUSING	HIGH TEMPERATURE PLASTIC	BLACK	1PCS

PIN NUMBER	SIGNAL NAME	PIN NUMBER	SIGNAL NAME
A1	GND	B12	GND
A2	SSTXp1	B11	SSRXp1
A3	SSTXn1	B10	SSRXn1
A4	VBUS	B9	VBUS
A5	CC1	B8	SBU2
A6	Dp1	B7	Dn2
A7	Dn1	B6	Dp2
A8	SBU1	B5	CC2
A9	VBUS	B4	VBUS
A10	SSRXn2	B3	SSTXn2
A11	SSRXp2	B2	SSTXp2
A12	GND	B1	GND

The copyright belongs to samzo parts [China] Co., Ltd. please use the material after samzo parts agree to authorize. The final right of interpretation belongs to samzo parts.

X.	± 0.50	X.'	± 2'
.X	± 0.30	.X'	± 1'
.XX	± 0.10	.XX'	± 0.5'
.XXX	± 0.05		

UNITS: mm

MAT'L: /

FINISH: /

Q'TY: /

三佐部品【中国】股份有限公司

PART NO. MTKEF16LD1DDWNPP

TITLE: 直立式防水TYPE C 24Pin SMT

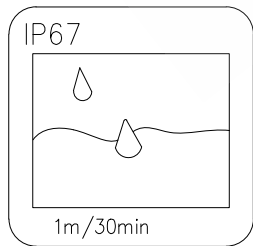
APPD: RADOM

CHKD: MARK

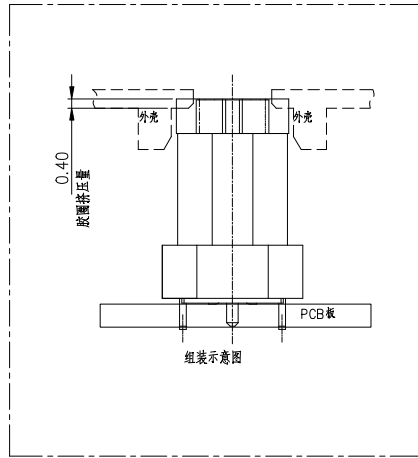
DR: JANE CHOU 2021/12/28

DWG NO.: MTKEF16LD1DDWNPP

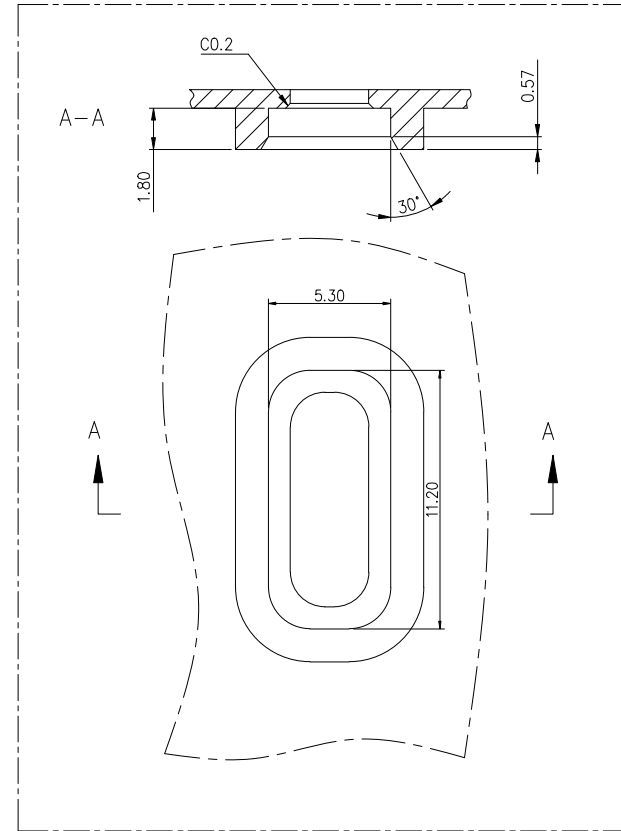
SCALE	SHEET	REV.
1/1	1/1	A1



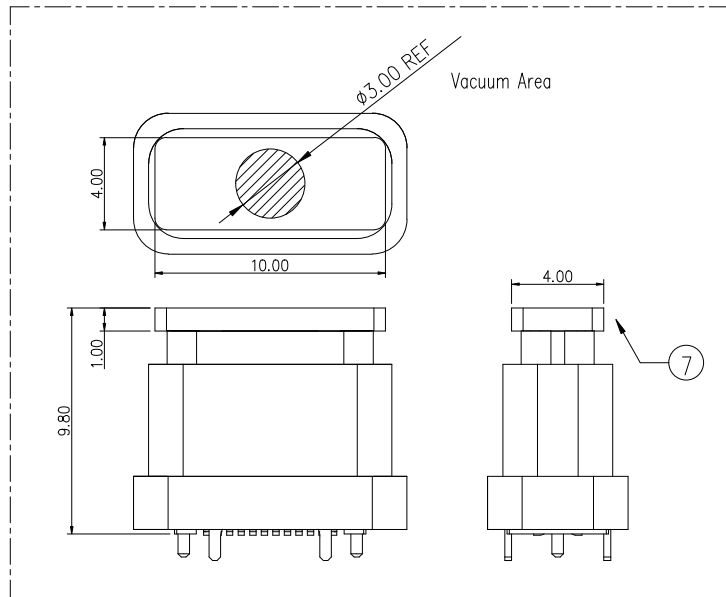
组装示意图



外壳参考设计图



Ø3.00 REF Vacuum Area



The copyright belongs to samzo parts [China] Co., Ltd. please use the material after samzo parts agree to authorize. The final right of interpretation belongs to samzo parts.

UNITS
mm

MAT'L

FINISH

Q'TY

三佐部品【中国】股份有限公司

PART NO.
MTKEF16LD1DDWNPP

APPD: RADOM

CHKD: MARK

DR: JANE CHOU 2021/12/28

TITLE:
直立式防水TYPE C 24Pin SMT

DWG NO.:
MTKEF16LD1DDWNPP



SCALE	SHEET	REV.
1/1	1/1	A1