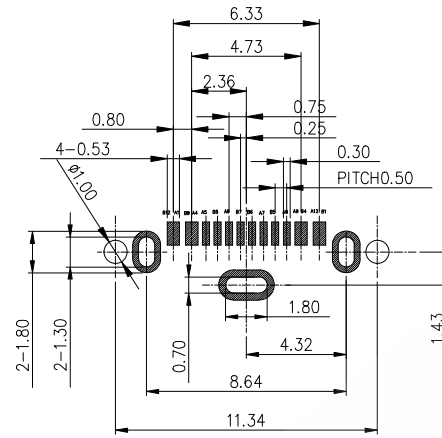
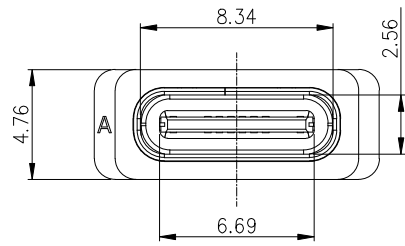
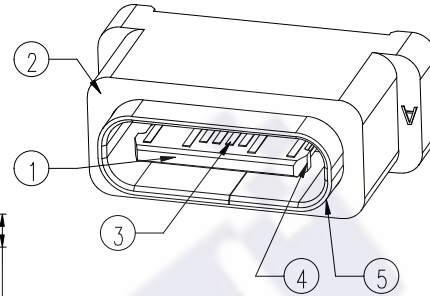


REACH/OOS1IPX8

|      |          |       |
|------|----------|-------|
| REV. | ECN. NO. | APPD. |
|      |          |       |



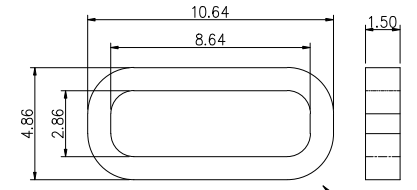
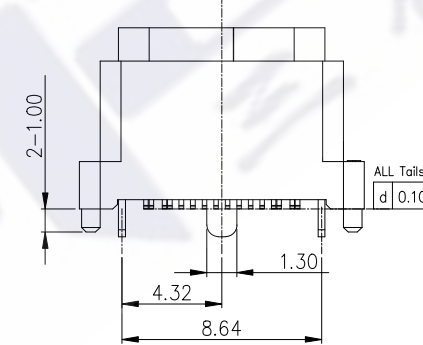
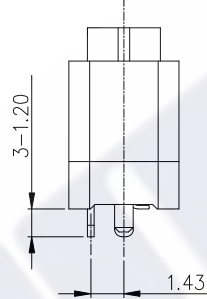
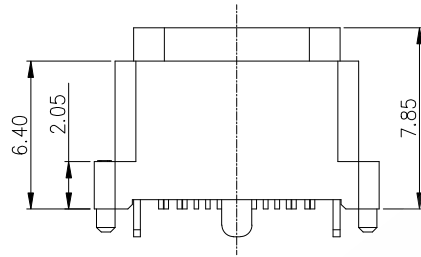
RECOMMENDED PCB LAYOUT(TOP VIEW)  
(GENERAL TOLERANCE±0.05)



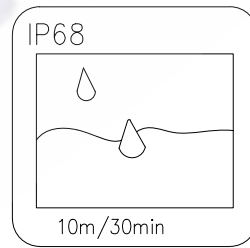
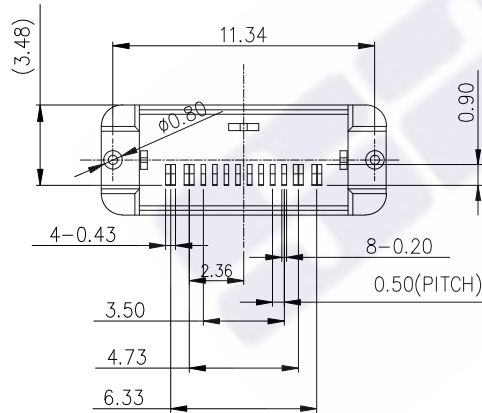
NOTES:

SPECIFICATION:

1. CURRENT RATING: 3.0A MAX
2. DIELECTRIC WITHSTAND VOLTAGE: 100VAC
3. TEMPERATURE RANGE: -30 °C ~ 85 °C
4. CONTACT RESISTANCE: 40 MILLIONHM MAX
5. INSULATION RESISTANCE: 100 MEGOHMS MIN.
6. INSERTION FORCE : 5N~20N
7. UNMATING FORCE: 8N~20N
8. DURABILITY: 10,000 CYCLES



建议胶圈尺寸



| NO. | DESCRIPTION     | MATERIAL                 | REMARKS      | QTY  |
|-----|-----------------|--------------------------|--------------|------|
| 7   | Cop             | HIGH TEMPERATURE PLASTIC | BLACK        | 1PCS |
| 6   | 防水圈             | 硅胶                       | BLACK        | 1PCS |
| 5   | SHELL           | STAINLESS STEEL          | Ni Plated    | 1PCS |
| 4   | SHIELDING PLATE | STAINLESS STEEL          | Ni Plated    | 1PCS |
| 3   | CONTACT         | COPPER ALLOY             | Au/Ni Plated | 1SET |
| 2   | SHELL HOUSING   | HIGH TEMPERATURE PLASTIC | BLACK        | 1PCS |
| 1   | HOUSING         | HIGH TEMPERATURE PLASTIC | BLACK        | 1PCS |

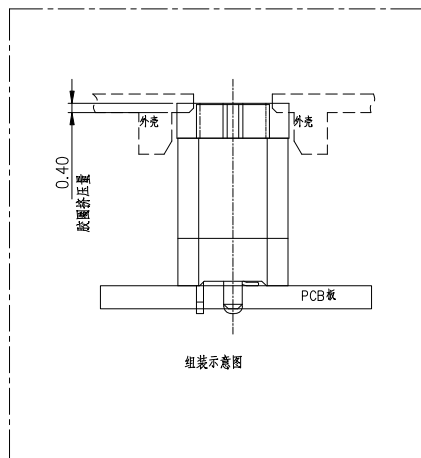
| A1  | GND         | B12 | GND         |
|-----|-------------|-----|-------------|
| A4  | VBUS        | B9  | VBUS        |
| A5  | CC1         | B8  | SBU2        |
| A6  | DP1         | B7  | DN2         |
| A7  | DN1         | B6  | DP2         |
| A8  | SBU1        | B5  | CC2         |
| A9  | VBUS        | B4  | VBUS        |
| A12 | GND         | B1  | GND         |
| PIN | SIGNAL NAME | PIN | SIGNAL NAME |

The copyright belongs to samzo parts [China] Co., Ltd. please use the material after samzo parts agree to authorize. The final right of interpretation belongs to samzo parts.

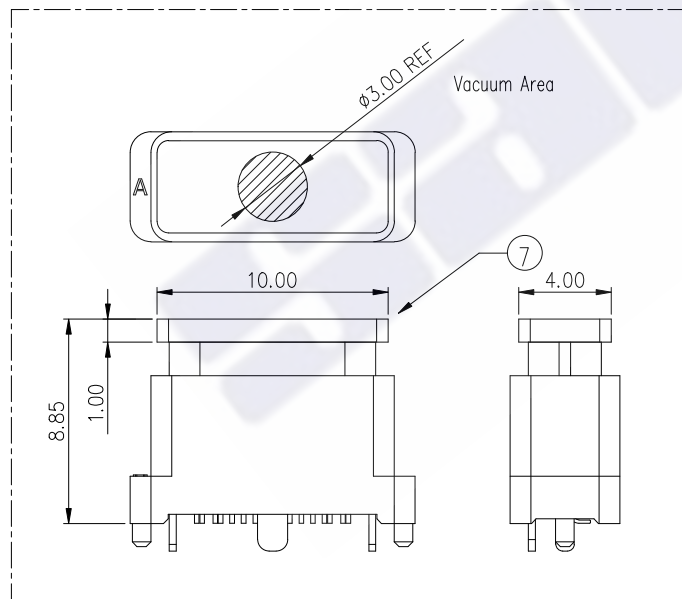
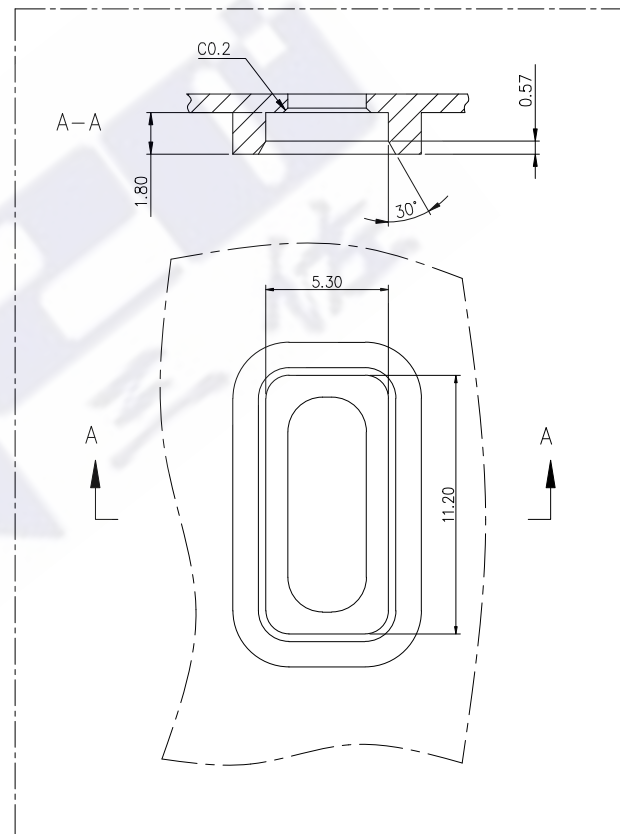
|      |        |      |        |
|------|--------|------|--------|
| X.   | ± 0.50 | X.*  | ± 2*   |
| .X   | ± 0.30 | .X*  | ± 1*   |
| .XX  | ± 0.20 | .XX* | ± 0.5* |
| .XXX | ± 0.05 |      |        |

|             |                              |  |            |
|-------------|------------------------------|--|------------|
| UNITS<br>mm | 三佐部品【中国】股份有限公司               |  |            |
| MAT'L       | PART NO.<br>MTKEF16LD1CDWNPP | TITLE:<br>TYPE C 2.0 16Pin 立式 SMT Type H7.85 |            |
| FINISH      | APPD: RADOM                  | DWG NO.:<br>MTKEF16LD1CDWNPP                 |            |
| Q'TY        | CHKD: MARK                   | DR: JANE CHOU 2021/09/26                     |            |
|             |                              | SCALE  | SHEET      |
|             |                              | 1/1  | 1/2        |
|             |                              |  | REV.<br>A2 |

组装示意图



外壳参考设计图



|  |             |             |                              |  |       |      |
|--|-------------|-------------|------------------------------|--|-------|------|
| The copyright belongs to samzo parts [China] Co., Ltd. please use the material after samzo parts agree to authorize. The final right of interpretation belongs to samzo parts. |             | UNITS<br>mm | 三佐部品【中国】股份有限公司               |  |       |      |
|  |             | MAT'L<br>/  | PART NO.<br>MTKEF16LD1CDWNPP | TITLE:<br>TYPE C 2.0 16Pin 立式 SMT Type H7.85 |       |      |
| X. ± 0.50  | X.* ± 2*    | FINISH<br>/ | APPD: RADOM                  | DWG NO.:                                     |       |      |
| .X ± 0.30  | .X* ± 1*    |             | CHKD: MARK                   | MTKEF16LD1CDWNPP                             |       |      |
| .XX ± 0.10   | .XX* ± 0.5* | Q'TY<br>/   | DR: JANE CHOU 2021/09/26     | SCALE  | SHEET | REV. |
| .XXX ± 0.05  |             |             |                              |  | 1/1   | 2/2  |